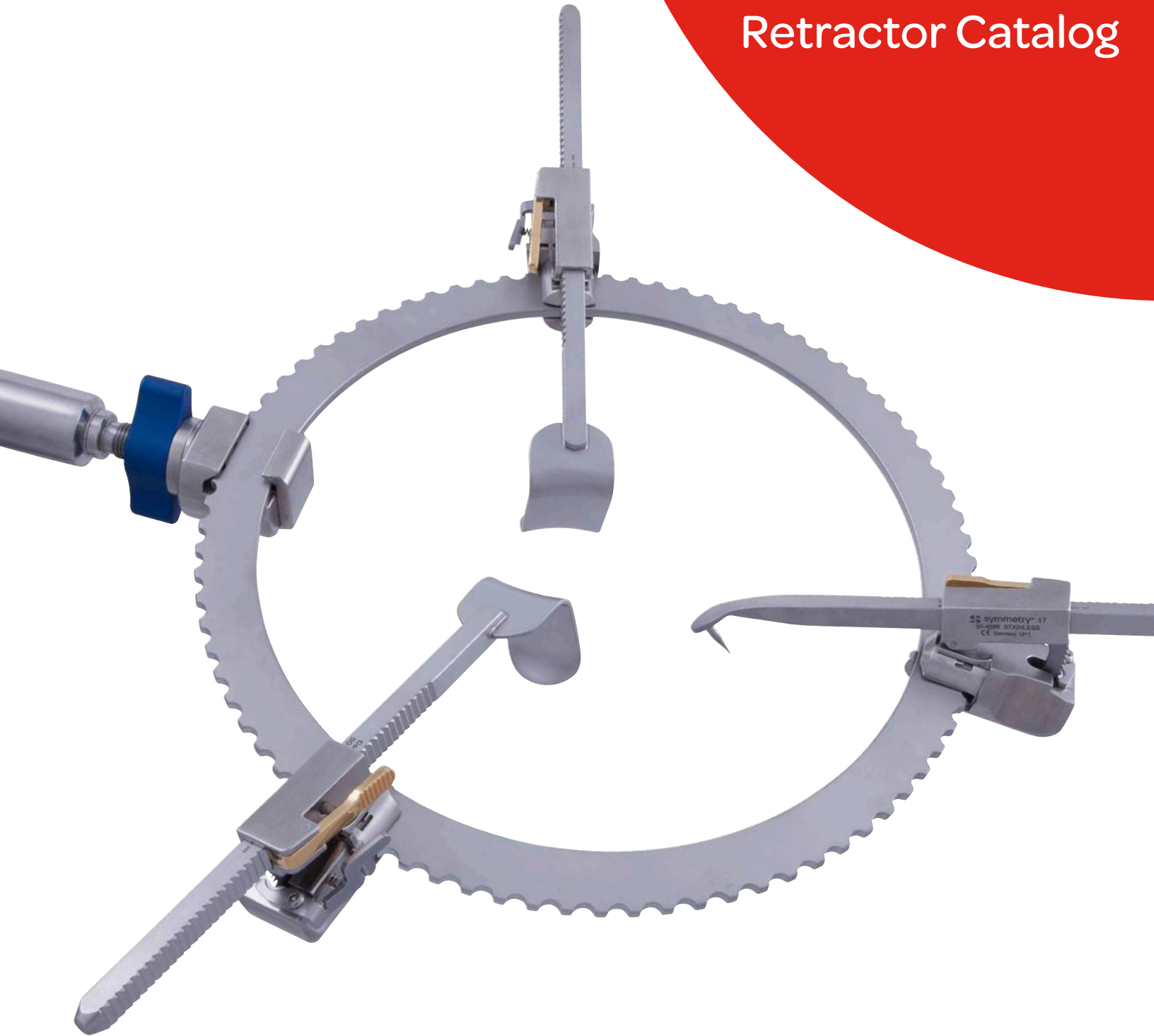




Bookwalter®

Self-Retaining
Retractor Catalog



“Good exposure is the key to good surgery”
John Bookwalter, M.D.

INDEX

COMPONENT

Horizontal Bars and Posts	6 - 8
Blades and Post Coupling	9 - 13
Ratchets	14 - 15
Rings	16 - 18
Accessories for Laparoscopy	19
Bookwalter® Magrina Configuration Accessories	20 - 21

KITS

Bookwalter® Spinal Kit	22 - 23
Bookwalter® Abdominal Kit	24 - 30
Bookwalter® Magrina Gynecology Kit	31
Bookwalter® Laparoscopy Kit	32 - 33
Bookwalter® I.M.A. Retractor System	34

STERILIZATION CONTAINER

Bookwalter® Sterilization Containers and Retractor Accessories	35
--	----



“Good exposure is the key to good surgery.”

Dr. John Bookwalter

Bookwalter® System Benefits:

- More closely mimics the natural toe-in motion of hand-held retractors
- Better visualization because ring conforms to varying patient anatomy
- Wide assortment of blades supports numerous surgical procedures
- Lightweight components reduce set weight
- Compatible with all genuine Bookwalter® components
- More than 30 years of innovation, performance and reliability
- Patented portfolio is surgeon designed and developed



Bookwalter® Self-Retaining Retractor

Retraction Ring

The articulated segmented ring provides valuable support in surgery.

Ratchets for Blades

All Bookwalter® ratchets are backwards compatible and hold all configurations of Bookwalter® blades.

Better Handling

The ratchets, designed for ergonomics and ease of use, allow positioning changes of blades to optimize visualization.

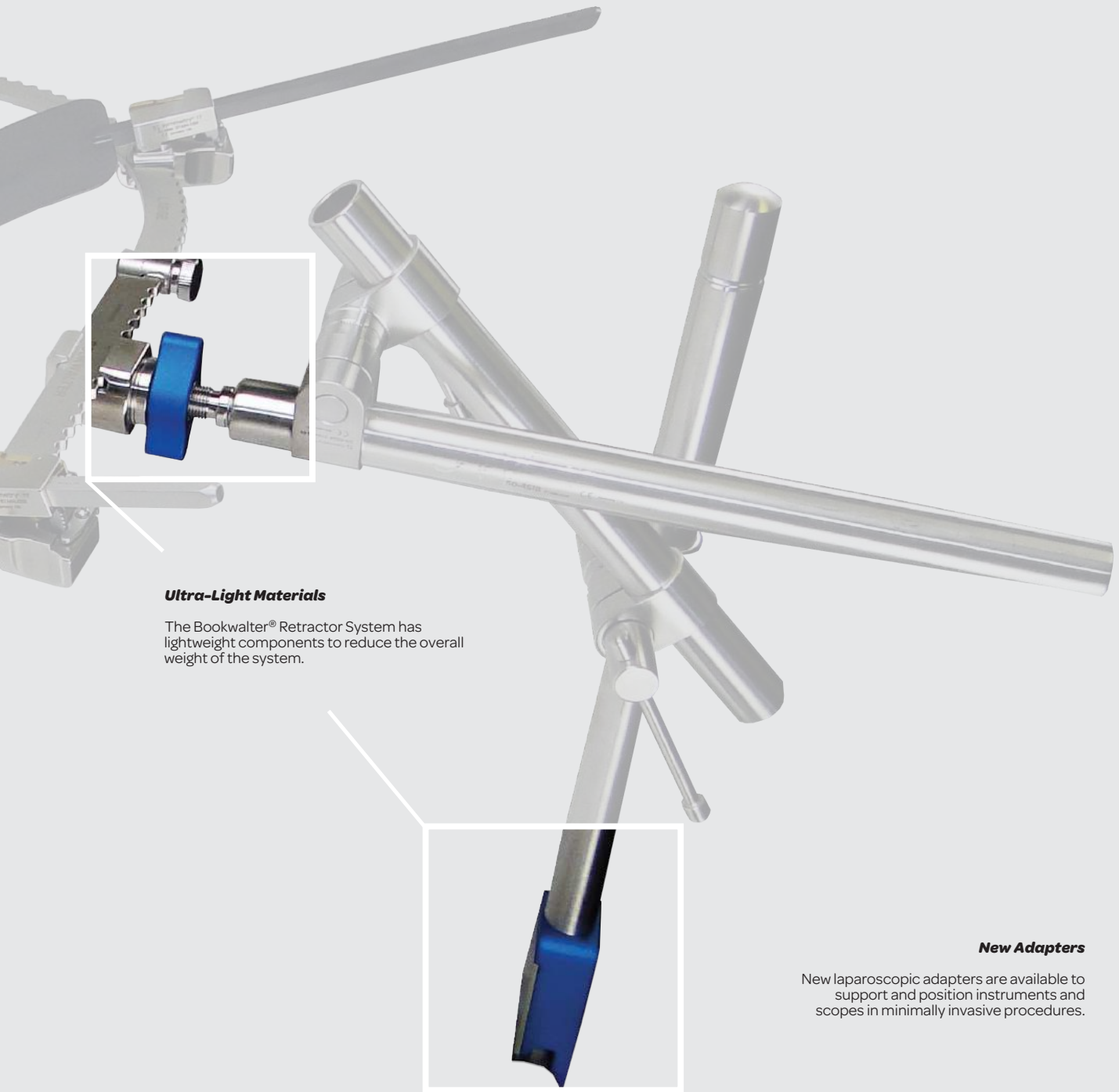
Retraction Blades

The many retractor blade styles provide optimal retraction in surgery.



Ratchets for Blades

The newest Bookwalter® ratchets allow the user to rotate and tilt blades in a self-retaining, lower profile ratchet design.



Ultra-Light Materials

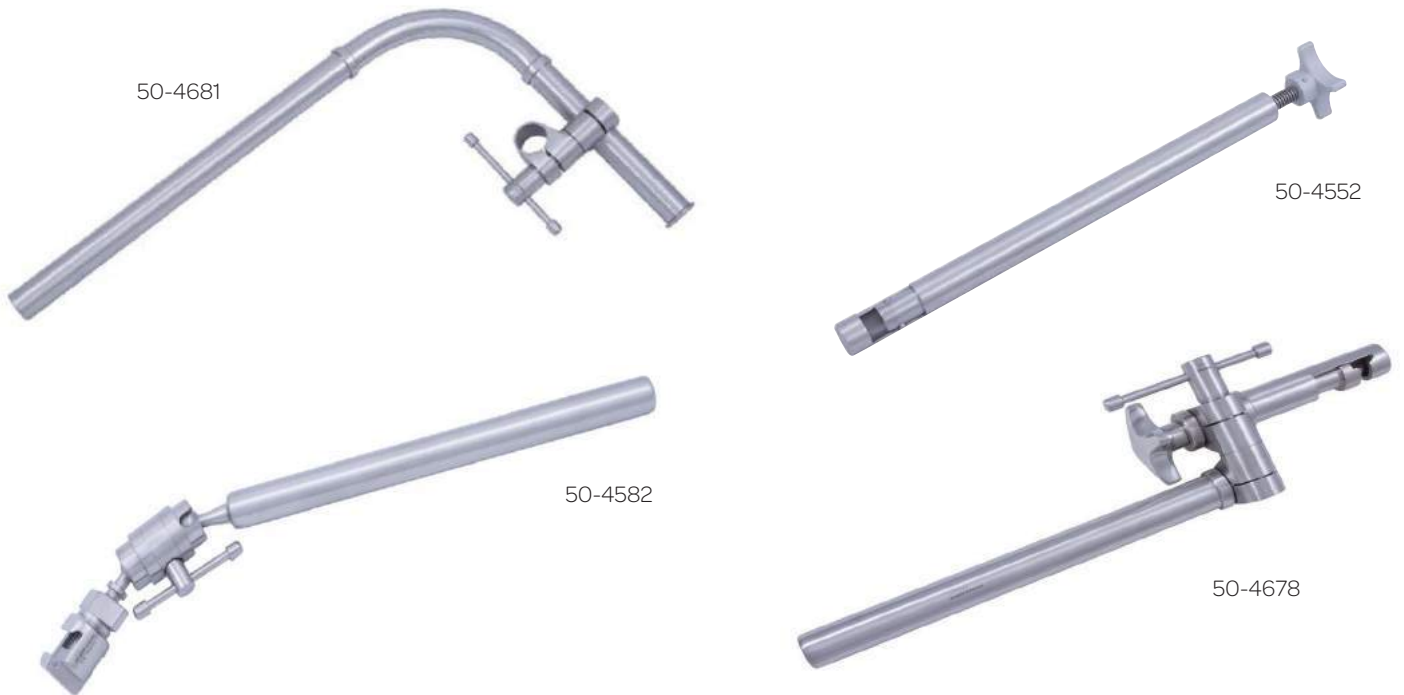
The Bookwalter® Retractor System has lightweight components to reduce the overall weight of the system.

New Adapters

New laparoscopic adapters are available to support and position instruments and scopes in minimally invasive procedures.



HORIZONTAL BARS AND TABLE POSTS



GOOSENECK TABLE POST

REFERENCE	DESCRIPTION	DIMENSIONS
50-4681	Bookwalter® Violi Gooseneck Table Post	1 in (25 mm)

HORIZONTAL BARS

REFERENCE	DESCRIPTION	DIMENSIONS
50-4552	Bookwalter® Horizontal Bar	14 1/4 in (365 mm)
50-4618	Bookwalter® Lightweight Horizontal Bar	15 1/4 in (387 mm)

ARTICULATED HORIZONTAL BAR

REFERENCE	DESCRIPTION	DIMENSIONS
50-4582	Bookwalter® Lightweight Horizontal Flex Bar, With 360 Rotation	18 1/2 in (470 mm (L))

IRONMAN HORIZONTAL BAR

REFERENCE	DESCRIPTION	DIMENSIONS
50-4678	Bookwalter® Ironman Horizontal Ring Holder	16 in (406 mm)

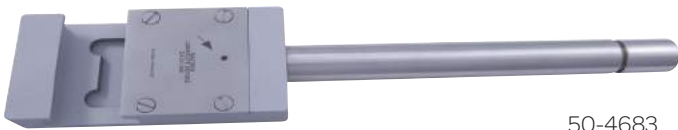
50-4680



50-4581



50-4683



BW0144005



VIOLI POST HOLDER

REFERENCE	DESCRIPTION	DIMENSIONS
50-4680	Bookwalter® Violi Post Holder	4 in (102 mm)

TABLE POSTS

REFERENCE	DESCRIPTION	DIMENSIONS
50-4581	Bookwalter® Table Post	12 in (304 mm)

TABLE POSTS

REFERENCE	DESCRIPTION	DIMENSIONS
50-4683	Bookwalter® Table Post	8 in (203 mm)

TABLE POSTS

REFERENCE	DESCRIPTION	DIMENSIONS
BW0144003	Bookwalter® Table Post	24 in (608 mm)

TABLE POSTS

REFERENCE	DESCRIPTION	DIMENSIONS
BW0144005	Bookwalter® Table Post	18 in (457 mm)



LIGHTWEIGHT POSTS

REFERENCE	DESCRIPTION	DIMENSIONS
50-4688	Bookwalter® Lightweight Table Post	12 in (304 mm)
50-4697	Bookwalter® Lightweight Table Post	16 in (406 mm)

*Lightweight Materials

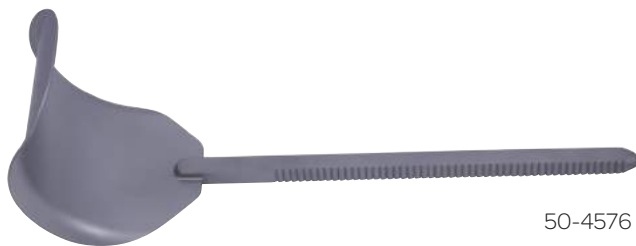
Lightweight aluminum components are now available. They are designed to reduce the weight of individual components and overall system transport. Lightweight components can be recognized by the blue color and are fully compatible with all versions of the Bookwalter® Retractor System.



50-4618



50-4553



50-4576



50-4577

VERTICAL EXTENSION BARS

Requires Support 50-4554

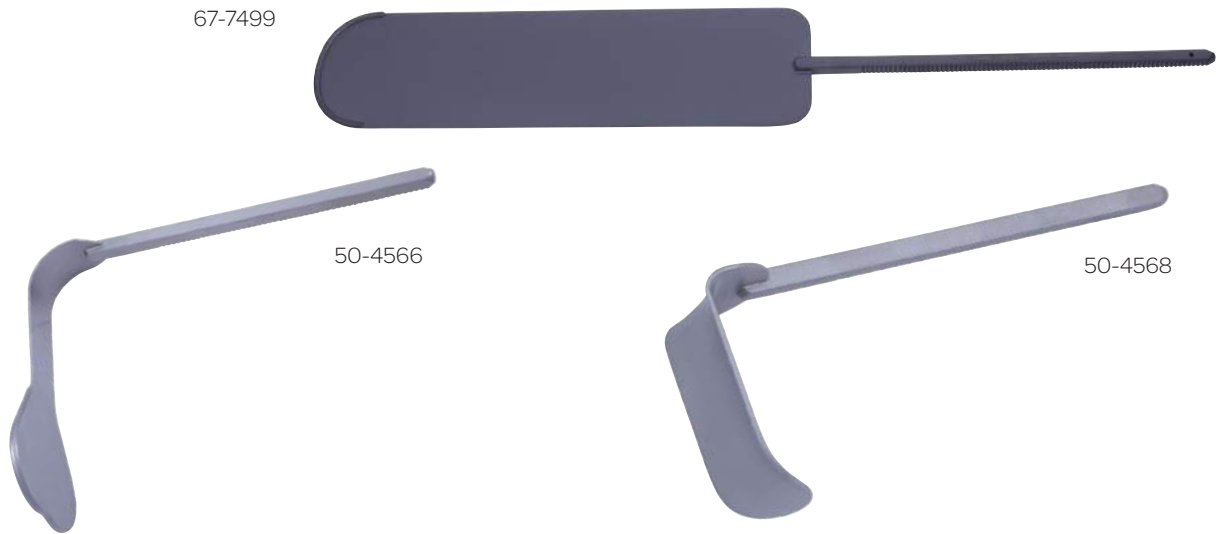
REFERENCE	DESCRIPTION	DIMENSIONS
50-4553	Bookwalter® Lightweight Extension Bar	12 in (305 mm)
50-4797	Bookwalter® Lightweight Extension Bar	18 in (458 mm)

BALFOUR BLADES

REFERENCE	DESCRIPTION	DIMENSIONS
50-4576	Bookwalter® Balfour Blade	2 ⁵ / ₈ x 3 in (67 x 76 mm)
BW1271017	Bookwalter® Balfour Blade	3 ¹ / ₂ x 2 ³ / ₄ (89 x 70 mm)

GELPI BLADES

REFERENCE	DESCRIPTION	DIMENSIONS
50-4577	Bookwalter® Gelpi Retractor, Sharp	1 x 5 in (25 x 127 mm)



HARRINGTON BLADES

REFERENCE	DESCRIPTION	DIMENSIONS
50-4566	Bookwalter® Harrington Blade	2 1/2 x 5 5/8 in (63 x 143 mm)
BW1045176	Bookwalter® Harrington Blade	3 1/2 x 10 in (89 x 254 mm)

KELLY BLADES

REFERENCE	DESCRIPTION	WIDTH	DEPTH
50-4574	Bookwalter® Kelly Blade	1 in (25 mm)	1 1/2 in (38 mm)
50-4575	Bookwalter® Kelly Blade	1 in (25 mm)	2 1/2 in (63 mm)
50-4565	Bookwalter® Kelly Blade	2 in (51 mm)	1 1/2 in (38 mm)
50-4563	Bookwalter® Kelly Blade	2 in (51 mm)	2 in (51 mm)
50-4572	Bookwalter® Kelly Blade	2 in (51 mm)	2 1/2 in (64 mm)
50-4568	Bookwalter® Kelly Retractor	2 in (51 mm)	3 in (76 mm)
50-4569	Bookwalter® Kelly Retractor	2 in (51 mm)	4 in (102 mm)
50-4570	Bookwalter® Kelly Retractor	2 in (51 mm)	5 in (127 mm)
50-4571	Bookwalter® Kelly Retractor	2 in (51 mm)	6 in (152 mm)
BW1045000	Bookwalter® Kelly Blade	2 in (51 mm)	8 in (203 mm)

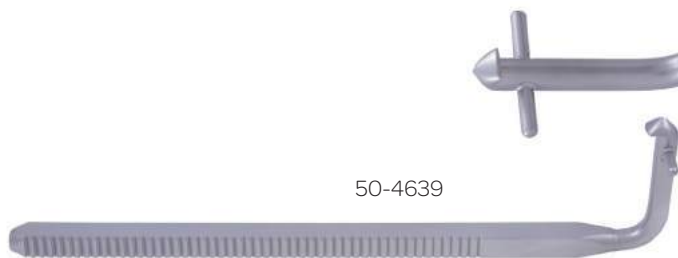
OPTI-LENGTH® MALLEABLE BLADES

With distal protection

REFERENCE	DESCRIPTION	WIDTH	LENGTH
67-7502	Bookwalter® Opti-Length® Malleable Blade, Malleable With Lip, Ebonized	1 1/2 in (38 mm)	11 in (279 mm)
67-7504	Bookwalter® Opti-Length® Malleable Blade, Malleable With Lip, Ebonized	2 in (51 mm)	11 in (279 mm)
67-7499	Bookwalter® Opti-Length® Malleable Blade, Malleable With Lip, Ebonized	3 in (76 mm)	11 in (279 mm)
67-7500	Bookwalter® Opti-Length® Malleable Blade, Malleable With Lip, Ebonized	4 in (102 mm)	11 in (279 mm)



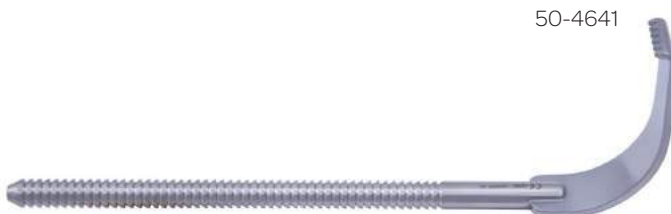
50-4644



50-4639



50-4598



50-4641

RAKE RETRACTORS

REFERENCE	DESCRIPTION	LENGTH	DEPTH
50-4644	Bookwalter® Rake Retractor, 3 Prong	$\frac{2}{3}$ in (17 mm)	$\frac{3}{4}$ in (19 mm)
50-4645	Bookwalter® Rake Retractor, 4 Prong	$\frac{3}{4}$ in (19 mm)	$\frac{1}{3}$ in (8.4 mm)
50-4646	Bookwalter® Rake Retractor, 6 Prong	1 in (25 mm)	$\frac{1}{3}$ in (8.4 mm)

RICHARDSON BLADES

REFERENCE	DESCRIPTION	DIMENSIONS
50-4597	Bookwalter® Richardson Blade	$\frac{3}{4}$ x 1 in (19 x 25 mm)
50-4598	Bookwalter® Richardson Blade	$\frac{3}{4}$ x 2 in (19 x 51 mm)
50-4599	Bookwalter® Richardson Blade	1 x $1\frac{1}{4}$ in (25 x 32 mm)

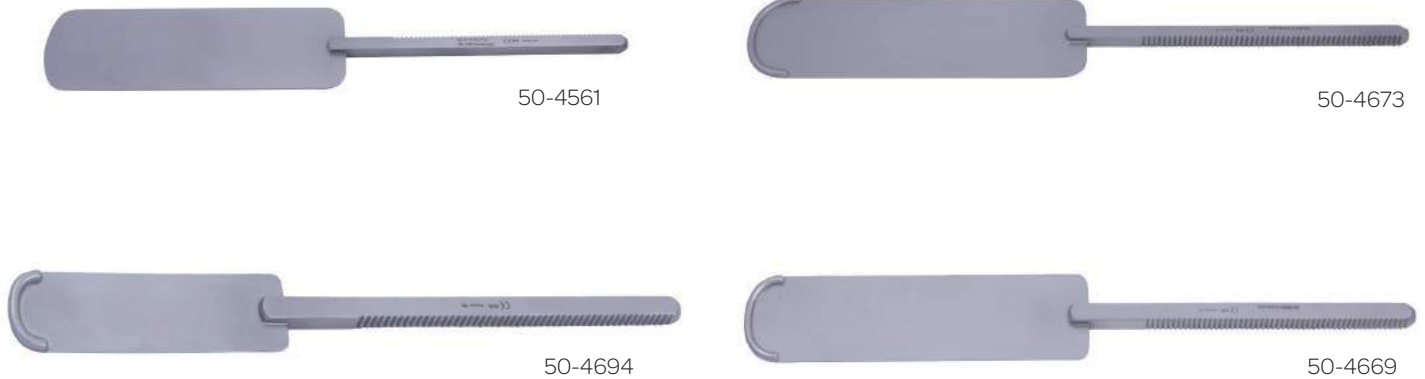
SCOVILLE BLADES

REFERENCE	DESCRIPTION	DIMENSIONS
50-4639	Bookwalter® Scoville Hook, Large	$3\frac{1}{4}$ in (51 mm)
50-4640	Bookwalter® Scoville Hook, Small	2 in (83 mm)

MEYERDING BLADES

REFERENCE	DESCRIPTION	DIMENSIONS
50-4641	Bookwalter® Meyerding Retractor Blade, Small, Small Sharp Teeth	$\frac{2}{3}$ x $2\frac{1}{3}$ in (17 x 60 mm)
50-4642	Bookwalter® Meyerding Retractor Blade, Medium, Small Sharp Teeth	1 x $3\frac{1}{3}$ in (25 x 85 mm)
50-4643	Bookwalter® Meyerding Retractor Blade, Large, Small Sharp Teeth	2 x $3\frac{3}{4}$ in (51 x 95 mm)

MALLEABLE BLADES



MALLEABLE BLADES

Matte steel, without distal protection

REFERENCE	DESCRIPTION	DIMENSIONS
50-4561	Bookwalter® Malleable Blade	2 x 6 in (51 x 152 mm)
50-4562	Bookwalter® Malleable Blade	1 1/2 x 6 in (38 x 152 mm)
50-4567	Bookwalter® Malleable Blade	3 x 6 in (76 x 152 mm)
BW1043016	Bookwalter® Malleable Retractor Blade	2 x 10 in (51 x 254 mm)
BW1043029	Bookwalter® Malleable Retractor Blade	3 x 10 in (76 x 254 mm)
BW1045069	Bookwalter® Malleable Retractor Blade	4 x 8 in (101 x 203 mm)

MALLEABLE BLADES WITH PROTECTIVE EDGE

Matte steel, with distal protection

REFERENCE	DESCRIPTION	DIMENSIONS
50-4673	Bookwalter® Retractor Blade, With Lip	2 x 6 in (51 x 152 mm)
50-4672	Bookwalter® Retractor Blade, With Lip	1 1/2 x 6 in (38 x 152 mm)

MALLEABLE BLADES WITH PROTECTIVE EDGE

Matte steel, with distal protection

REFERENCE	DESCRIPTION	DIMENSIONS
50-4694	Bookwalter® Malleable Lateral Retractor Blade	1 x 4 in (25 x 102 mm)
50-4674	Bookwalter® Retractor Blade, With Lip	3 x 6 in (76 x 152 mm)

SUPER MALLEABLE BLADES WITH PROTECTIVE EDGE

Matte steel, with distal protection

REFERENCE	DESCRIPTION	DIMENSIONS
50-4669	Bookwalter® Super Malleable Blade With Lip	1 1/2 x 6 in (38 x 152 mm)
50-4670	Bookwalter® Super Malleable Blade With Lip	2 x 6 in (51 x 152 mm)
50-4671	Bookwalter® Super Malleable Blade With Lip	3 x 6 in (76 x 152 mm)



50-4691



50-4554



50-5580

MAGRINA MALLEABLE BLADE

REFERENCE	DESCRIPTION	DIMENSIONS
50-4691	Bookwalter® Magrina Retractor Blade, Super Malleable With Lip	1 x 4 in (25 x 102 mm)

RADIOLUCENT TITANIUM BLADES

REFERENCE	DESCRIPTION	DIMENSIONS
50-5580	Bookwalter® Radiolucent Titanium Blade	1 x 4 in (25 x 102 mm)
50-5581	Bookwalter® Radiolucent Titanium Blade	1 x 5 in (25 x 127 mm)
50-5582	Bookwalter® Radiolucent Titanium Blade	1 x 6 in (25 x 152 mm)
50-5583	Bookwalter® Radiolucent Titanium Blade	1 x 7 in (25 x 180 mm)
50-5584	Bookwalter® Radiolucent Titanium Blade	1 x 8 in (25 x 203 mm)
50-5585	Bookwalter® Radiolucent Titanium Blade	2 x 4 in (51 x 102 mm)
50-5586	Bookwalter® Radiolucent Titanium Blade	2 x 5 in (51 x 127 mm)
50-5587	Bookwalter® Radiolucent Titanium Blade	2 x 6 in (51 x 152 mm)
50-5588	Bookwalter® Radiolucent Titanium Blade	2 x 7 in (51 x 180 mm)
50-5589	Bookwalter® Radiolucent Titanium Blade	2 x 8 in (51 x 203 mm)

LIGHTWEIGHT COUPLING ELEMENT

REFERENCE	DESCRIPTION	DIMENSIONS
50-4554	Bookwalter® Lightweight Post Coupling, For Standard 1 Inch System	1 in x 4 in (25 x 102mm)

RATCHETS

50-4589



50-4695



50-4696

RATCHETS

REFERENCE	DESCRIPTION
50-4589	Bookwalter® Rotilt Ratchet

RATCHETS

REFERENCE	DESCRIPTION
50-4695	Bookwalter® Low Profile Rotilt Ratchet

RATCHETS

REFERENCE	DESCRIPTION
50-4696	Bookwalter® Self-Retaining Low Profile Locking Rotilt Ratchet

50-4580



50-4686



50-4579

BW0338014



BW0338015



RATCHETS

REFERENCE	DESCRIPTION
50-4579	Bookwalter® Ratchet Mechanism

RATCHETS

REFERENCE	DESCRIPTION
50-4580	Bookwalter® Tilt Ratchet Mechanism

RATCHETS

REFERENCE	DESCRIPTION
50-4686	Bookwalter® Self-Retaining Tilt Ratchet

RATCHETS

REFERENCE	DESCRIPTION
BW0338015	Bookwalter® Twister Ratchet
BW0338014	Bookwalter® Ratchet Extender

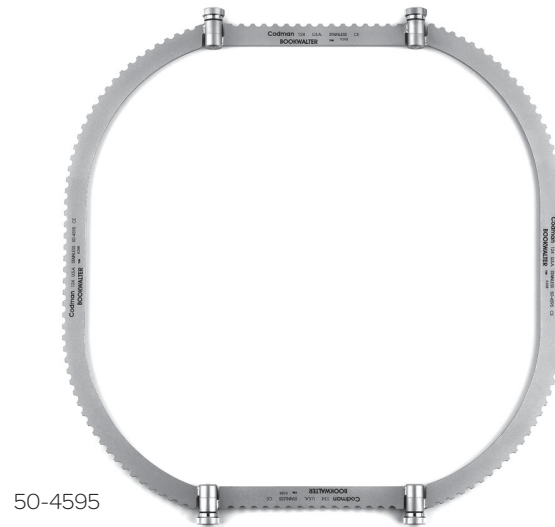
RETRACTION RINGS



50-4810



50-4687



50-4595

SEGMENTED RINGS

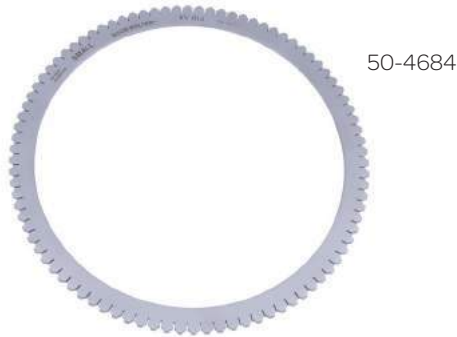
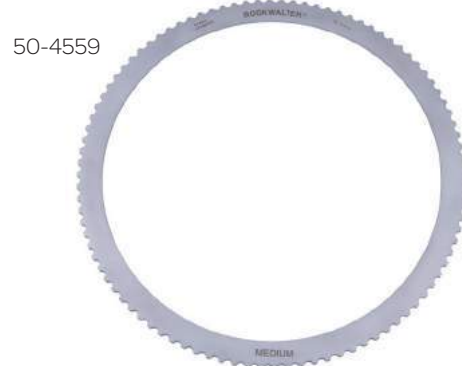
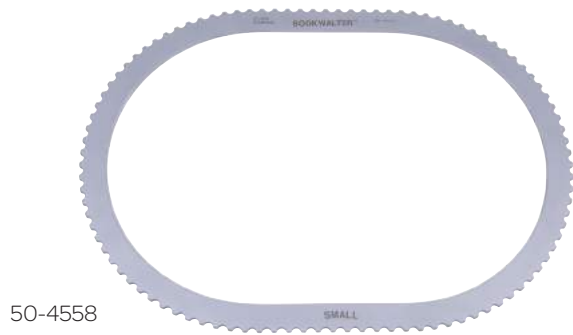
REFERENCE	DESCRIPTION
50-4810	Bookwalter® Adaptable Ring System
50-4811	Bookwalter® Adaptable Ring, Small, Round Ring Segments
50-4812	Bookwalter® Adaptable Ring, Medium, Round Ring Segments
50-4813	Bookwalter® Adaptable Ring, Medium, Oval Ring Segments

BRIDGE EXTENSION SEGMENT

REFERENCE	DESCRIPTION
50-4687	Bookwalter® Wishbook Bridge

ELLIPTICAL RING SEGMENTS

REFERENCE	DESCRIPTION	DIMENSIONS
50-4595	Bookwalter® Segmented Elliptical Ring	14 1/2 in x 15 in (360 x 380 mm)



OVAL RINGS

REFERENCE	DESCRIPTION	DIMENSIONS
50-4558	Bookwalter® Oval Ring, Small	8 x 12 1/4 in (203 x 311 mm)
50-4557	Bookwalter® Oval Ring, Medium	10 1/2 x 14 1/2 in (267 x 368 mm)
50-4556	Bookwalter® Oval Ring, Large	12 x 18 1/2 in (305 x 470 mm)

ROUND RINGS

REFERENCE	DESCRIPTION	DIMENSIONS
50-4584	Bookwalter® Round Ring, Small	8 1/2 in (216 mm)
50-4559	Bookwalter® Round Ring, Medium	10 1/2 in (267 mm)
50-4560	Bookwalter® Round Ring, Large	12 1/2 in (318 mm)

RING WITH NOTCHES FOR SUTURES

REFERENCE	DESCRIPTION	DIMENSIONS
50-4684	Bookwalter® Suture Ring, Small	9 1/2 in (241 mm)

SEGMENTED ROUND RINGS

REFERENCE	DESCRIPTION	DIMENSIONS
50-4635	Bookwalter® Round Ring, Segmented, Small	8 1/2 in (216 mm)
50-4634	Bookwalter® Round Ring, Segmented, Medium	10 1/2 in (267 mm)
50-4633	Bookwalter® Round Ring, Segmented, Large, With Suture Slots	16 in (406 mm)



50-4587



50-4637

SEGMENTED RINGS

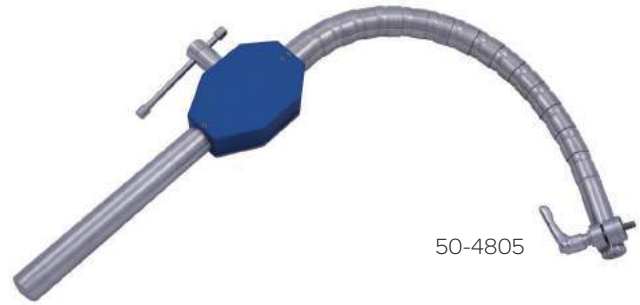
REFERENCE	DESCRIPTION	DIMENSIONS
50-4587	Bookwalter® Segmented Ring, Small	8 1/2 x 14 in (216 x 356 mm)
50-4583	Bookwalter® Segmented Ring, Medium	10 1/2 x 19 1/2 in (267 x 495 mm)
50-4588	Bookwalter® Segmented Ring, Large	12 1/2 x 19 1/2 in (318 x 495 mm)

EXTENSION SEGMENTS FOR RINGS

REFERENCE	DESCRIPTION	DIMENSIONS
50-4636	Bookwalter® Segmented Ring, Straight Segments, 4 in	4 in (102 mm)
50-4637	Bookwalter® Segmented Ring, Straight Segments, 6 in	6 in (152 mm)
50-4638	Bookwalter® Segmented Ring, Straight Segments, 8 in	8 in (203 mm)



50-4685



50-4805



50-4806



50-4807



50-4808



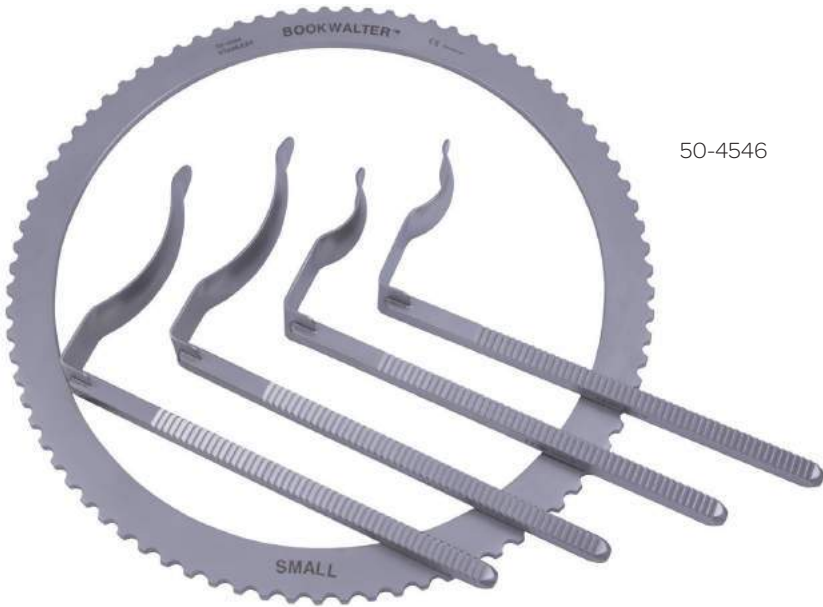
50-4809

TELESCOPIC BRACKET FOR LAPAROSCOPY

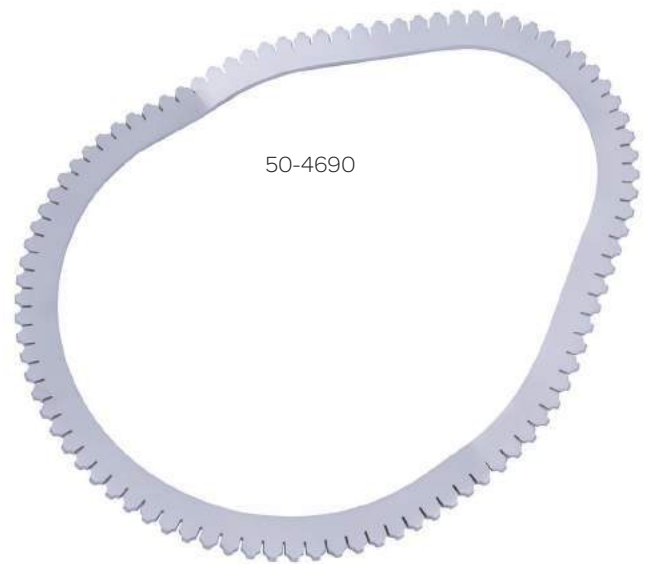
REFERENCE	DESCRIPTION
50-4685	Bookwalter® Lightweight Telescopic Iron Man

TELESCOPIC BRACKET FOR LAPAROSCOPY

REFERENCE	DESCRIPTION
50-4805	Bookwalter® Universal Flex Arm System
50-4806	Bookwalter® Ring Adapter For Flex Arm System
50-4807	Bookwalter® Lap Instrument Adapter (Spring) For Flex Arm System
50-4808	Bookwalter® Camera Lens Adapter For Flex Arm System
50-4809	Bookwalter® Camera Housing Adapter For Flex Arm System



50-4546



50-4690

RECTAL ACCESSORIES KIT

REFERENCE	DESCRIPTION	DIAMETER	DIMENSIONS	Qty
50-4546	Bookwalter® Rectal Accessory Kit			
50-4584	Bookwalter® Round Ring, Small	8 1/2 in (216 mm)		1
50-4585	Bookwalter® Rectal Blade, Small		3 x 7 in (76 x 178 mm)	2
50-4586	Bookwalter® Rectal Blade, Large		4 x 6 in (101 x 152 mm)	2

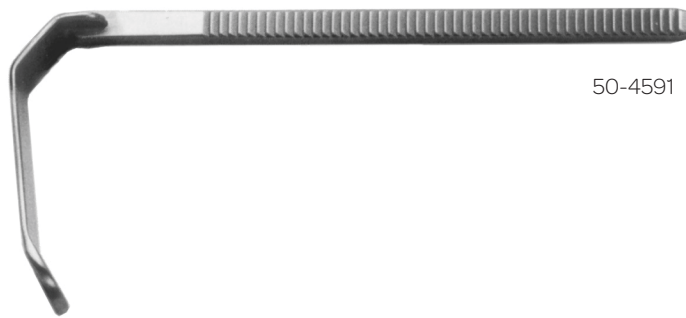
Note: Table post, Coupler and Ratchets, not included in this kit.

MAGRINA PELVIC RINGS

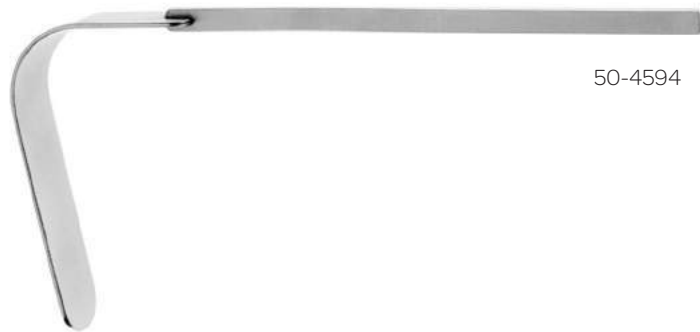
REFERENCE	DESCRIPTION	DIMENSIONS
50-4690	Bookwalter® Magrina Pelvic Ring, Fixed Ovoid, With Suture Slots	8 x 10 1/2 in (203 x 267 mm)
50-4689	Bookwalter® Magrina Segmented Ring, With Suture Slots	8 x 10 1/2 in (203 x 267 mm)



50-4592



50-4591



50-4594

MAGRINA DEAYER BLADES

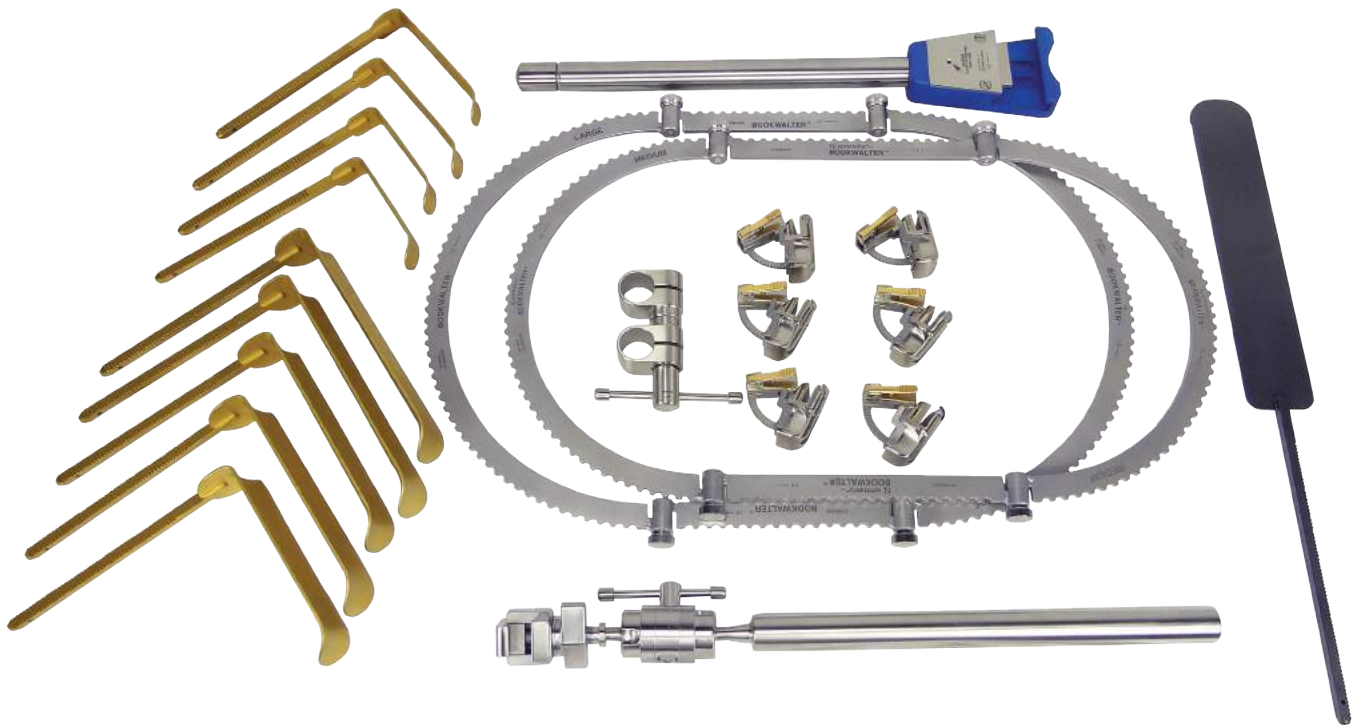
REFERENCE	DESCRIPTION	DIMENSIONS
50-4592	Bookwalter® Magrina Deaver Retractor Blade, Small	1 x 3 1/2 in (25 x 89 mm)
50-4593	Bookwalter® Magrina Deaver Retractor Blade, Large	1 x 5 in (25 x 127 mm)

MAGRINA SIDE BLADE

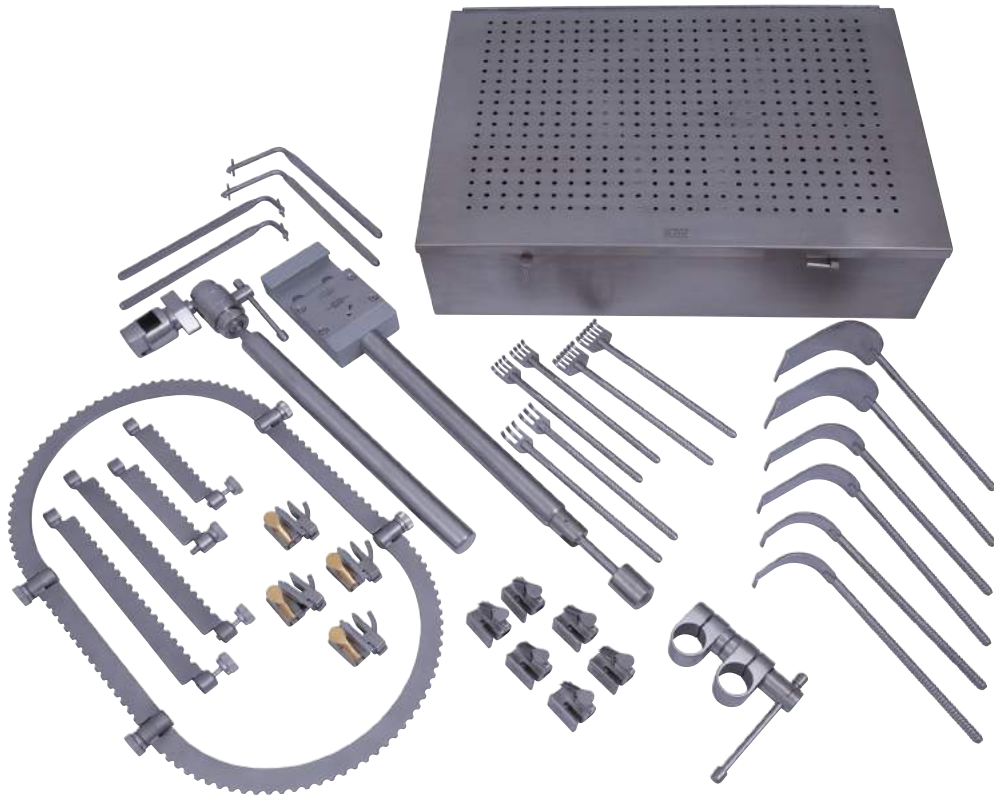
REFERENCE	DESCRIPTION	DIMENSIONS
50-4591	Bookwalter® Magrina Lateral Retractor Blade	1 x 3 in (25 x 76 mm)

MAGRINA POSTERIOR BLADE

REFERENCE	DESCRIPTION	DIMENSIONS
50-4594	Bookwalter® Magrina Posterior Retractor Blade, Large	1 x 4 1/2 in (25 x 114 mm)

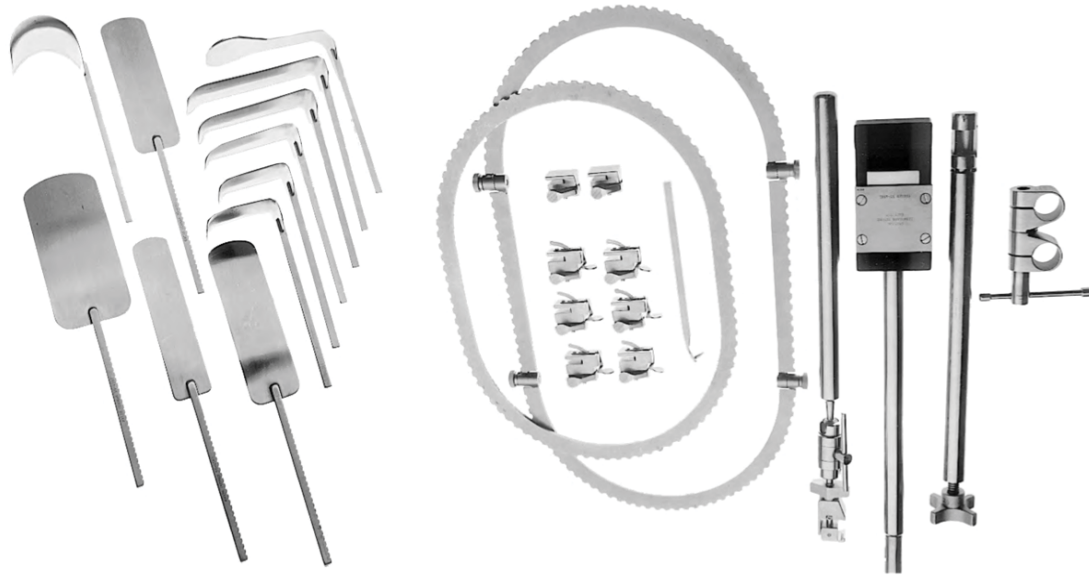
**BOOKWALTER® LUMBAR, SPINAL, ANTERIOR KIT FOR TRACK**

REFERENCE	DESCRIPTION	DIMENSIONS	Qty
50-5740	Bookwalter® Anterior Lumbar Spinal Set		
50-4688	Bookwalter® Lightweight Table Post	12 in (304 mm)	1
50-4554	Bookwalter® Lightweight Post Coupling, For Standard 1 inch System	1 x 4 in (25 x 102 mm)	1
50-4582	Bookwalter® Lightweight Horizontal Flex Bar, With 360° Rotation	18 1/2 in (470 mm (L))	1
50-4583	Bookwalter® Segmented Ring, Medium	10 1/2 x 19 1/2 in (267 x 495 mm)	1
50-4588	Bookwalter® Segmented Ring, Large	12 1/2 x 19 1/2 in (318 x 495 mm)	1
50-4696	Bookwalter® Self-Retaining Low Profile Locking Rotilt Ratchet		6
50-5580	Bookwalter® Radiolucent Titanium Blade	1 x 4 in (25 x 102 mm)	2
50-5581	Bookwalter® Radiolucent Titanium Blade	1 x 5 in (25 x 127 mm)	2
50-5587	Bookwalter® Radiolucent Titanium Blade	2 x 6 in (51 x 152 mm)	2
50-5588	Bookwalter® Radiolucent Titanium Blade	2 x 7 in (51 x 180 mm)	2
50-5589	Bookwalter® Radiolucent Titanium Blade	2 x 8 in (51 x 203 mm)	2
67-7504	Bookwalter® Opti-Length® Malleable Blade, With Lip, Ebonized	2 x 11 in (51 x 279 mm)	1

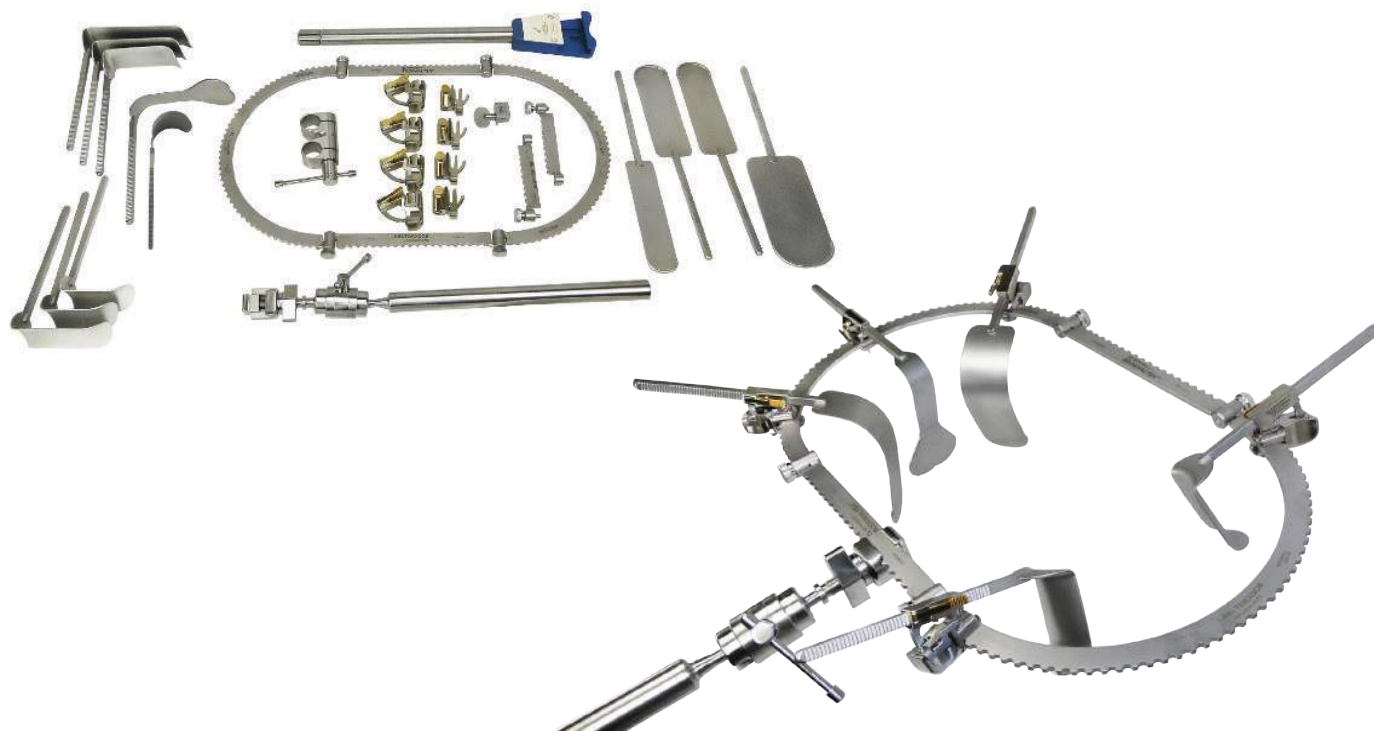


BOOKWALTER® SPINAL KIT

REFERENCE	DESCRIPTION	DIMENSIONS	Qty
50-4631	Bookwalter® Spinal Retractor Kit		
50-4581	Bookwalter® Table Post	12 in (304 mm)	1
50-4582	Bookwalter® Lightweight Horizontal Flex Bar, With 360° Rotation	18 1/2 in (470 mm (L))	1
50-4635	Bookwalter® Round Ring, Segmented, Small	8 1/2 in (216 mm)	2
50-4636	Bookwalter® Segmented Ring, Straight Segments	4 in (102 mm)	2
50-4637	Bookwalter® Segmented Ring, Straight Segments	6 in (152 mm)	2
50-4638	Bookwalter® Segmented Ring, Straight Segments	8 in (203 mm)	2
50-4580	Bookwalter® Tilt Ratchet Mechanism		6
50-4639	Bookwalter® Scoville Hook, Large	3 1/4 in (83 mm)	2
50-4640	Bookwalter® Scoville Hook, Small	2 in (50 mm)	2
50-4641	Bookwalter® Meyerding Retractor Blade, Small, Small Sharp Teeth	2 2/3 x 2 1/3 in (17 x 60 mm)	1
50-4642	Bookwalter® Meyerding Retractor Blade, Medium, Small Sharp Teeth	1 x 3 1/3 in (25 x 85 mm)	1
50-4643	Bookwalter® Meyerding Retractor Blade, Large, Small Sharp Teeth	2 x 3 3/4 in (50 x 95 mm)	1
50-4645	Bookwalter® Rake Retractor, 4 Prong	1/3 x 3 1/4 in (8 2/5 x 19 mm)	1
50-4646	Bookwalter® Rake Retractor, 6 Prong	1/3 x 1 in (8 2/5 x 25 mm)	1
50-4644	Bookwalter® Rake Retractor, 3 Prong	3/4 x 2 2/3 in (19 x 17 mm)	1
50-4647	Bookwalter® Spinal Retractor Sterilization Case	19 1/2 x 13 1/2 in (500 x 340 mm)	1

BOOKWALTER® RETRACTOR SYSTEM FOR GENERAL SURGERY**BOOKWALTER® RETRACTOR SYSTEM FOR GENERAL SURGERY**

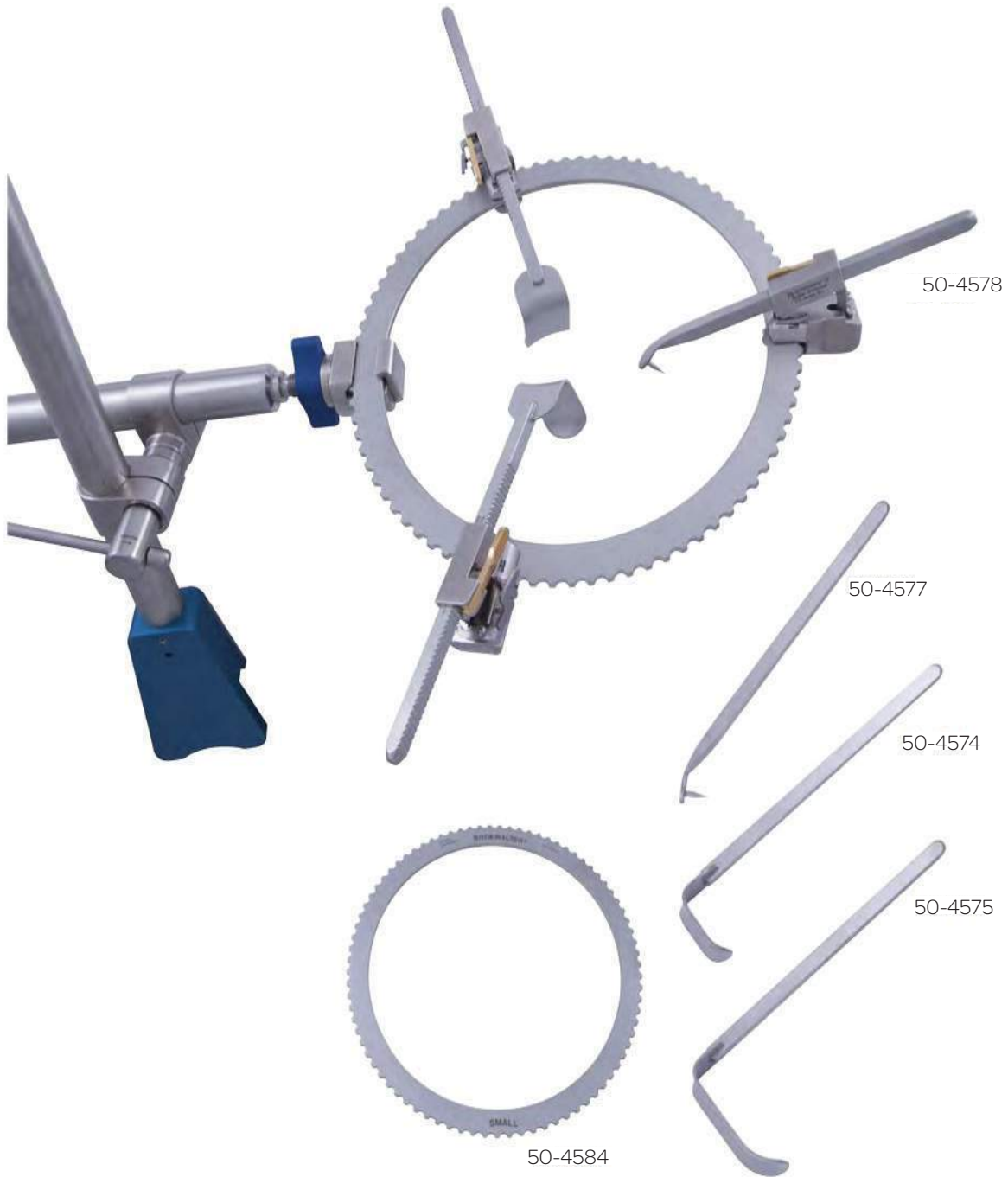
REFERENCE	DESCRIPTION	DIMENSIONS	Qty
50-4542	Bookwalter® Retractor Kit III		
50-4581	Bookwalter® Table Post	12 in (304 mm)	1
50-4554	Bookwalter® Lightweight Post Coupling, For Standard 1 inch System	1 x 4 in (25 x 102 mm)	1
50-4552	Bookwalter® Horizontal Bar	14 1/4 in (362 mm)	1
50-4582	Bookwalter® Lightweight Horizontal Flex Bar, With 360° Rotation	18 1/2 in (470 mm (L))	1
50-4557	Bookwalter® Oval Ring, Medium	10 1/2 x 14 1/2 in (267 x 368 mm)	1
50-4583	Bookwalter® Segmented Ring, Medium	10 1/2 x 19 1/2 in (267 x 495 mm)	1
50-4579	Bookwalter® Ratchet Mechanism		2
50-4580	Bookwalter® Tilt Ratchet Mechanism		6
50-4566	Bookwalter® Harrington Blade	2 1/2 x 5 5/8 in (63 x 143 mm)	1
50-4576	Bookwalter® Balfour Blade	2 5/8 x 3 in (67 x 76 mm)	1
50-4568	Bookwalter® Kelly Retractor	2 x 3 in (51 x 76 mm)	2
50-4569	Bookwalter® Kelly Retractor	2 x 4 in (51 x 102 mm)	1
50-4570	Bookwalter® Kelly Retractor	2 x 5 in (51 x 127 mm)	1
50-4571	Bookwalter® Kelly Retractor	2 x 6 in (51 x 152 mm)	1
50-4562	Bookwalter® Malleable Blade	1 1/2 x 6 in (38 x 152 mm)	1
50-4561	Bookwalter® Malleable Blade	2 x 6 in (51 x 152 mm)	2
50-4567	Bookwalter® Malleable Blade	3 x 6 in (76 x 152 mm)	1
50-4577	Bookwalter® Gelpi Retractor, Sharp	1 x 5 in (25 x 127 mm)	1
AVAILABLE ACCESSORIES			
50-4507	Bookwalter® Table Fixation & Ring Case	2 3/4 x 13 1/8 x 22 1/8 in (95 x 333 x 562 mm)	1
50-4508	Bookwalter® Blades & Accessory Case	3 11/16 x 13 1/8 x 22 1/8 in (94 x 333 x 562 mm)	1


BOOKWALTER® KIT III

REFERENCE	DESCRIPTION	DIMENSIONS	Qty
50-5710	Bookwalter® III Set		
50-4688	Bookwalter® Lightweight Table Post	12 in (304 mm)	1
50-4554	Bookwalter® Lightweight Post Coupling, For Standard 1 inch System	1 x 4 in (25 x 102 mm)	1
50-4582	Bookwalter® Lightweight Horizontal Flex Bar, With 360° Rotation	18 1/2 in (470 mm (L))	1
50-4583	Bookwalter® Segmented Ring, Medium	10 1/2 x 19 1/2 in (267 x 495 mm)	1
50-4636	Bookwalter® Segmented Ring, Straight Segments	4 in (102 mm)	1
50-4580	Bookwalter® Tilt Ratchet Mechanism		4
50-4696	Bookwalter® Self-Retaining Low Profile Locking Rotilt Ratchet		4
50-4568	Bookwalter® Kelly Retractor	2 x 3 in (51 x 76 mm)	2
50-4569	Bookwalter® Kelly Retractor	2 x 4 in (51 x 102 mm)	2
50-4570	Bookwalter® Kelly Retractor	2 x 5 in (51 x 127 mm)	1
50-4571	Bookwalter® Kelly Retractor	2 x 6 in (51 x 152 mm)	1
50-4566	Bookwalter® Harrington Blade	2 1/2 x 5 5/8 in (64 x 143 mm)	1
50-4576	Bookwalter® Balfour Blade	2 5/8 x 3 in (70 x 76 mm)	1
50-4672	Bookwalter® Retractor Blade, With Lip	1 1/2 x 6 in (38 x 152 mm)	1
50-4673	Bookwalter® Retractor Blade, With Lip	2 x 6 in (51 x 152 mm)	2
50-4674	Bookwalter® Retractor Blade, With Lip	3 x 6 in (76 x 152 mm)	1
BW0338015	Bookwalter® Twister Ratchet		1

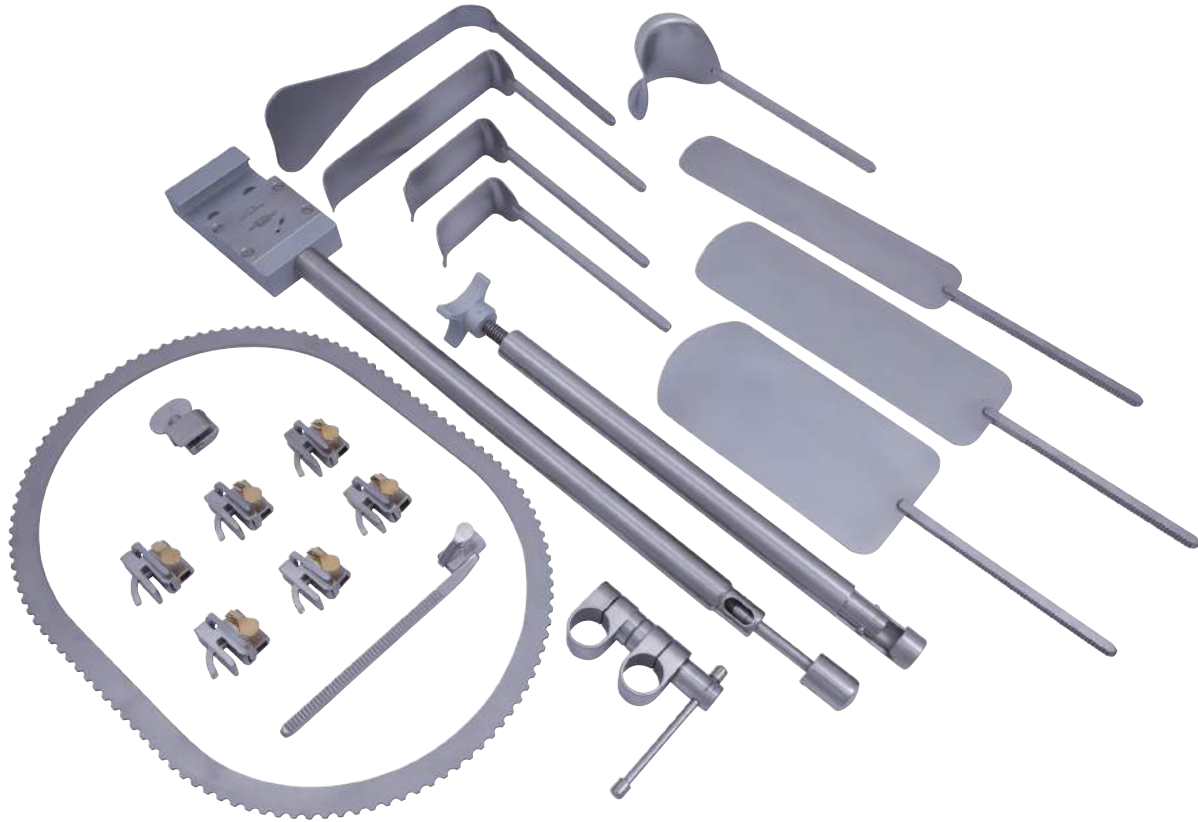
**BOOKWALTER® III BARIATRIC**

REFERENCE	DESCRIPTION	DIMENSIONS	Qty
50-5720	Bookwalter® III Obese Patient Set		
50-4697	Bookwalter® Lightweight Table Post	16 in (406 mm)	1
50-4554	Bookwalter® Lightweight Post Coupling, For Standard 1 inch System	1 x 4 in (25 x 102 mm)	2
50-4553	Bookwalter® Lightweight Extension Bar	12 in (305 mm)	1
50-4618	Bookwalter® Lightweight Horizontal Bar	15 1/4 in (387 mm)	1
50-4588	Bookwalter® Segmented Ring, Large	12 1/2 x 19 1/2 in (318 x 495 mm)	1
50-4636	Bookwalter® Segmented Ring, Straight Segments	4 in (102 mm)	1
50-4637	Bookwalter® Segmented Ring, Straight Segments	6 in (152 mm)	1
50-4580	Bookwalter® Tilt Ratchet Mechanism		4
50-4686	Bookwalter® Self-Retaining Tilt Ratchet		6
50-4571	Bookwalter® Kelly Retractor	2 x 6 in (51 x 152 mm)	2
BW1045000	Bookwalter® Kelly Blade	2 x 8 in (51 x 203 mm)	2
BW1045176	Bookwalter® Harrington Blade	3 1/2 x 10 in (89 x 254 mm)	1
BW1271017	Bookwalter® Balfour Blade	3 1/2 x 2 3/4 in (89 x 70 mm)	1
67-7502	Bookwalter® Opti-Length® Malleable Blade, Malleable With Lip, Ebonized	1 1/2 x 11 in (38 x 279 mm)	1
67-7504	Bookwalter® Opti-Length® Malleable Blade, Malleable With Lip, Ebonized	2 x 11 in (51 x 279 mm)	1
67-7499	Bookwalter® Opti-Length® Malleable Blade, Malleable With Lip, Ebonized	3 x 11 in (76 x 279 mm)	1
67-7500	Bookwalter® Opti-Length® Malleable Blade, Malleable With Lip, Ebonized	4 x 11 in (102 x 279 mm)	1
BW0338014	Bookwalter® Ratchet Extender	7 in (178 mm)	2
BW0338015	Bookwalter® Twister Ratchet		1



SMALL INCISION ACCESSORY KIT

REFERENCE	DESCRIPTION	DIMENSIONS	Qty
50-4578	Bookwalter® Small Incision Kit		
50-4584	Bookwalter® Round Ring, Small	8 1/2 in (216 mm)	1
50-4577	Bookwalter® Gelpi Retractor, Sharp	1 x 5 in (25 x 127 mm)	1
50-4574	Bookwalter® Kelly Blade	1 x 1 1/2 in (25 x 38 mm)	1
50-4575	Bookwalter® Kelly Blade	1 x 2 1/2 in (25 x 64 mm)	1

BOOKWALTER® BARIATRIC KIT 458 MM**BOOKWALTER® BARIATRIC KIT 458MM**

REFERENCE	DESCRIPTION	DIMENSIONS	Qty
BW1046BKIT	Bookwalter® Obese Patient Retractor System, 18 in Table Post		
BW0144005	Bookwalter® Table Post	18 in (458 mm)	1
BW1043016	Bookwalter® Retractor Blade, Malleable	2 x 10 in (51 x 254 mm)	1
BW1043029	Bookwalter® Retractor Blade, Malleable	3 x 10 in (76 x 254 mm)	1
BW1045069	Bookwalter® Malleable Retractor Blade, Stainless Steel, Matte Finish	4 x 8 in (102 x 203 mm)	1
BW1045000	Bookwalter® Kelly Blade	2 x 8 in (51 x 203 mm)	1
BW1271017	Bookwalter® Balfour Blade	3 1/2 x 2 3/4 in (89 x 70 mm)	1
BW1045176	Bookwalter® Harrington Blade	3 1/2 x 10 in (89 x 254 mm)	1
BW0338014	Bookwalter® Ratchet Extender	7 in (178 mm)	1
BW0338015	Bookwalter® Twister Ratchet		1
50-4552	Bookwalter® Horizontal Bar	14 1/4 in (362 mm)	1
50-4554	Bookwalter® Lightweight Post Coupling, For Standard 1 inch System	1 x 4 in (25 x 102 mm)	1
50-4557	Bookwalter® Oval Ring, Medium	10 1/2 x 14 1/2 in (267 x 368 mm)	1
50-4568	Bookwalter® Kelly Retractor	2 x 3 in (51 x 76 mm)	1
50-4569	Bookwalter® Kelly Retractor	2 x 4 in (51 x 102 mm)	1
50-4580	Bookwalter® Tilt Ratchet Mechanism		6

458 MM



610 MM

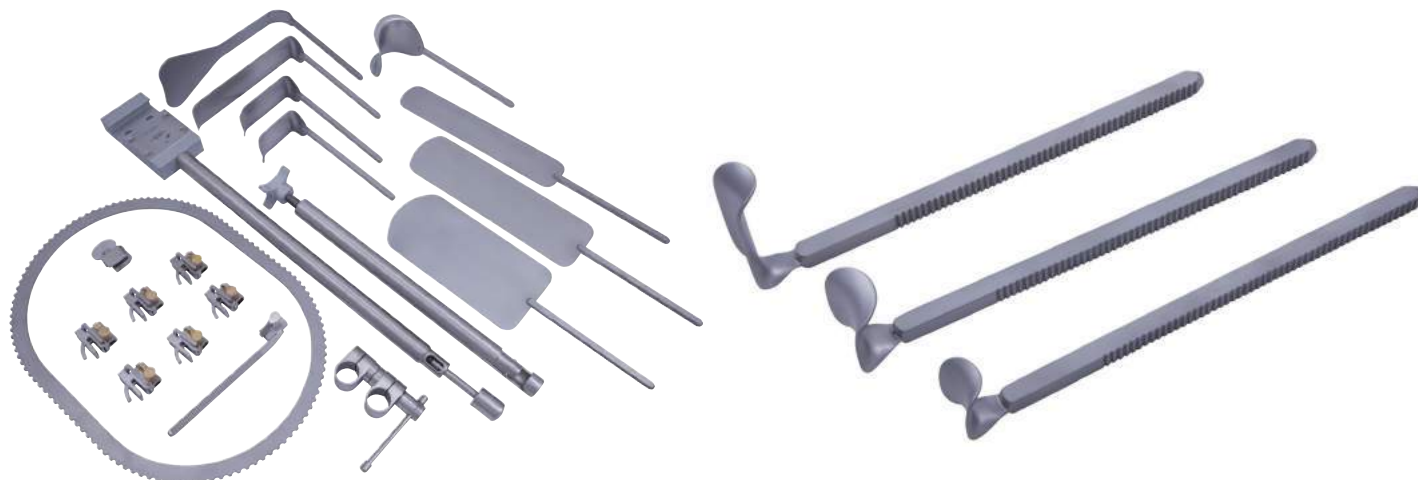


BOOKWALTER® BARIATRIC ACCESSORY KIT 458MM

REFERENCE	DESCRIPTION	DIMENSIONS	Qty
BW1046BRT	Bookwalter® Obese Patient Accessory Kit, 18 in Table Post		
BW0144005	Bookwalter® Table Post	18 in (458 mm)	1
BW1043016	Bookwalter® Retractor Blade, Malleable	2 x 10 in (51 x 254 mm)	1
BW1043029	Bookwalter® Retractor Blade, Malleable	3 x 10 in (76 x 254 mm)	1
BW1045069	Bookwalter® Malleable Retractor Blade, Stainless Steel, Matte Finish	4 x 8 in (102 x 203 mm)	1
BW1045000	Bookwalter® Kelly Blade	2 x 8 in (51 x 203 mm)	1
BW1271017	Bookwalter® Bookwalter Balfour Blade	3 1/2 x 2 3/4 in (89 x 70 mm)	1
BW1045176	Bookwalter® Harrington Blade	3 1/2 x 10 in (89 x 254 mm)	1
BW0338014	Bookwalter® Ratchet Extender	7 in (178 mm)	1
BW0338015	Bookwalter® Twister Ratchet		1

BOOKWALTER® BARIATRIC ACCESSORY KIT 610MM

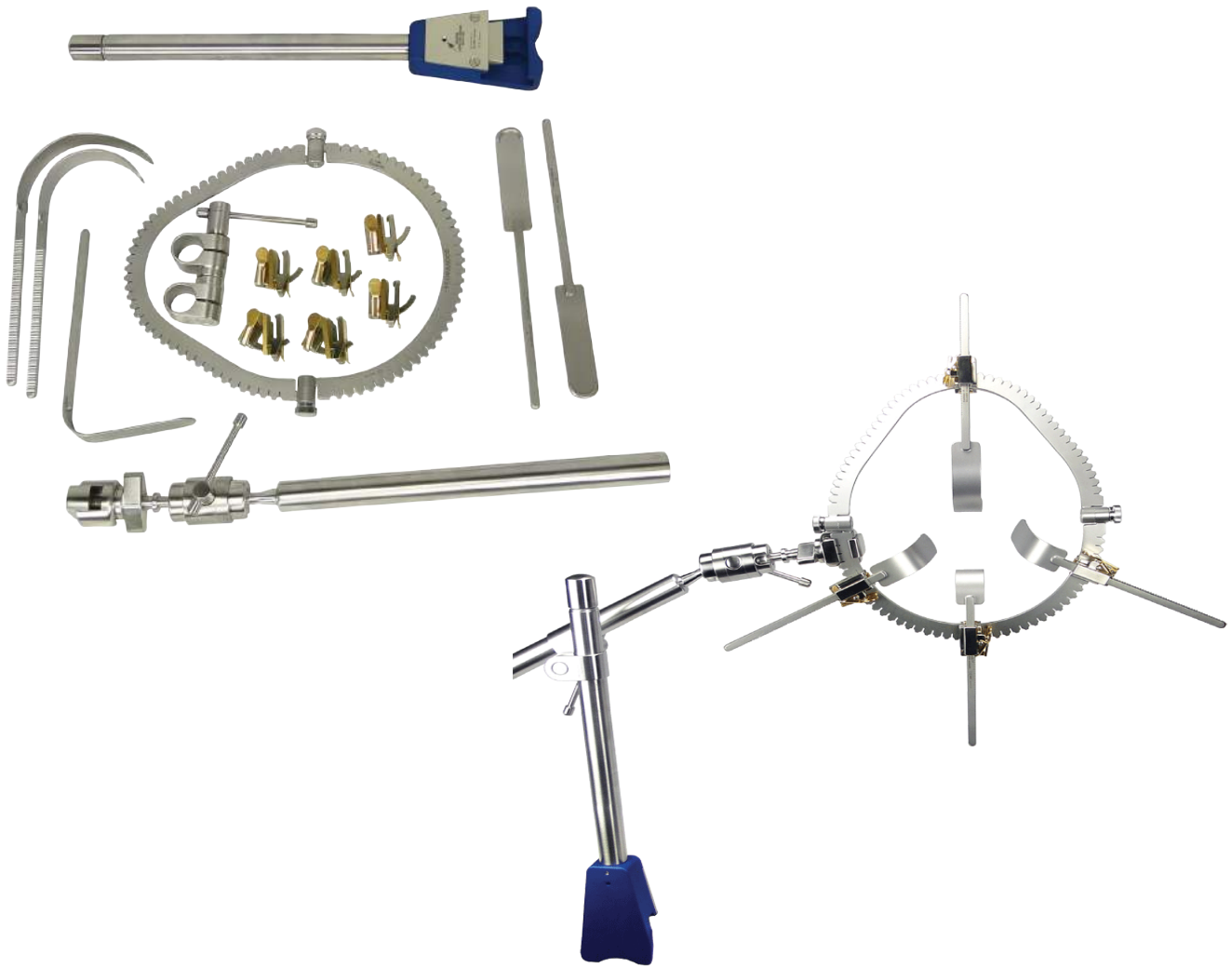
REFERENCE	DESCRIPTION	DIMENSIONS	Qty
BW1045BRT	Bookwalter® Obese Patient Accessory Kit, 24 in Table Post		
BW0144003	Bookwalter® Table Post	24 in (610 mm)	1
BW1043016	Bookwalter® Retractor Blade, Malleable	2 x 10 in (51 x 254 mm)	1
BW1043029	Bookwalter® Retractor Blade, Malleable	3 x 10 in (76 x 254 mm)	1
BW1045069	Bookwalter® Malleable Retractor Blade, Stainless Steel, Matte Finish	4 x 8 in (102 x 203 mm)	1
BW1045000	Bookwalter® Kelly Blade	2 x 8 in (51 x 203 mm)	1
BW1271017	Bookwalter® Balfour Blade	3 1/2 x 2 3/4 in (89 x 70 mm)	1
BW1045176	Bookwalter® Harrington Blade	3 1/2 x 10 in (89 x 254 mm)	1
BW0338014	Bookwalter® Ratchet Extender	7 in (178 mm)	1
BW0338015	Bookwalter® Twister Ratchet		1

BOOKWALTER® BARIATRIC KIT 610 MM**BOOKWALTER® BARIATRIC KIT 610MM**

REFERENCE	DESCRIPTION	DIMENSIONS	Qty
BW1045BKIT	Bookwalter® Obese Patient Retractor System, 24 in Table Post		
BW0144003	Bookwalter® Table Post	24 in (610 mm)	1
BW1043016	Bookwalter® Retractor Blade, Malleable	2 x 10 in (51 x 254 mm)	1
BW1043029	Bookwalter® Retractor Blade, Malleable	3 x 10 in (76 x 254 mm)	1
BW1045069	Bookwalter® Malleable Retractor Blade, Stainless Steel, Matte Finish	4 x 8 in (102 x 203 mm)	1
BW1045000	Bookwalter® Kelly Blade	2 x 8 in (51 x 203 mm)	1
BW1271017	Bookwalter® Balfour Blade	3 1/2 x 2 3/4 in (89 x 70 mm)	1
BW1045176	Bookwalter® Harrington Blade	3 1/2 x 10 in (89 x 254 mm)	1
BW0338014	Bookwalter® Ratchet Extender	7 in (178 mm)	1
BW0338015	Bookwalter® Twister Ratchet		1
50-4552	Bookwalter® Horizontal Bar	14 1/4 in (365 mm)	1
50-4554	Bookwalter® Lightweight Post Coupling, For Standard 1 inch System	1 x 4 in (25 x 102 mm)	1
50-4557	Bookwalter® Oval Ring, Medium	10 1/2 x 14 1/2 in (267 x 368 mm)	1
50-4568	Bookwalter® Kelly Retractor	2 x 3 in (51 x 76 mm)	1
50-4569	Bookwalter® Kelly Retractor	2 x 4 in (51 x 102 mm)	1
50-4580	Bookwalter® Tilt Ratchet Mechanism		6

RICHARDSON BLADES

REFERENCE	DESCRIPTION	DIMENSIONS	Qty
50-4596	Bookwalter® Richardson Blade Kit		
50-4597	Bookwalter® Richardson Blade	3/4 x 1 in (19 x 25 mm)	1
50-4598	Bookwalter® Richardson Blade	3/4 x 2 in (19 x 51 mm)	1
50-4599	Bookwalter® Richardson Blade	1 x 1 1/4 in (25 x 32 mm)	1

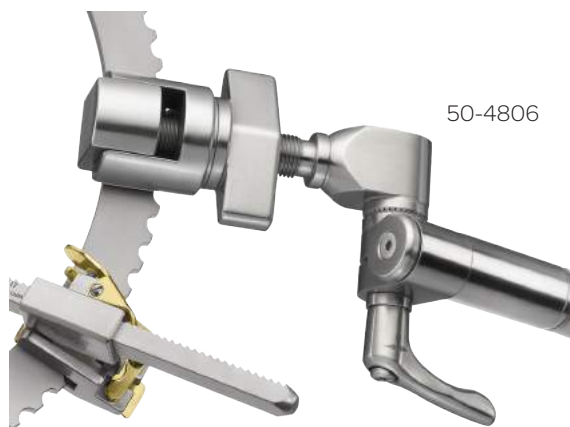


BOOKWALTER® MAGRINA GYNECOLOGY KIT

REFERENCE	DESCRIPTION	DIMENSIONS	Qty
50-4692	Bookwalter® Magrina Segmented Pelvic Kit		
50-4688	Bookwalter® Lightweight Table Post	12 in (312 mm)	1
50-4554	Bookwalter® Lightweight Post Coupling, For Standard 1 inch System	1 x 4 in (25 x 102 mm)	1
50-4582	Bookwalter® Lightweight Horizontal Flex Bar, With 360° Rotation	18 1/2 in (470 mm (L))	1
50-4689	Bookwalter® Magrina Segmented Ring with Suture Slots	8 x 10 1/2 in (203 x 267 mm)	1
50-4686	Bookwalter® Self-Retaining Tilt Ratchet		4
50-4591	Bookwalter® Malleable Lateral Retractor Blade	1 x 4 in (25 x 102 mm)	2
50-4592	Bookwalter® Magrina Deaver Retractor Blade, Small	1 x 3 1/2 in (25 x 89 mm)	1
50-4593	Bookwalter® Magrina Deaver Retractor Blade, Large	1 x 5 in (25 x 127 mm)	1
50-4594	Bookwalter® Magrina Posterior Retractor Blade	1 x 4 1/2 in (25 x 114 mm)	1

BOOKWALTER® LAPAROSCOPIC KIT**BOOKWALTER® LAPAROSCOPIC KIT**

REFERENCE	DESCRIPTION	DIMENSIONS	Qty
50-5730	Bookwalter® Laparoscopic Support Set		
50-4688	Bookwalter® Lightweight Table Post	12 in (304 mm)	1
50-4554	Bookwalter® Lightweight Post Coupling, For Standard 1 inch System	1 x 4 in (25 x 102 mm)	1
50-4805	Bookwalter® Universal Flex Arm System		1
50-4806	Bookwalter® Ring Adapter For Flex Arm System		1
50-4807	Bookwalter® Lap Instrument Adapter (Spring) For Flex Arm System		1
50-4808	Bookwalter® Camera Lens Adapter For Flex Arm System		1
50-4809	Bookwalter® Camera Housing Adapter For Flex Arm System		1
68-1593	Fan Liver Retractor, Adjustable	5 mm	1
68-1594	Fan Liver Retractor, Adjustable	10 mm	1



BOOKWALTER® Laparoscopic Kit (ref. 50-5730)

This set is designed to provide the user with useful support in the surgical field for the management, maintenance and safety of laparoscopic instruments or additional elements in the Bookwalter® Retraction System.

BOOKWALTER® Universal Arm System (Ref. 50-4805)

The components of the Bookwalter® Universal Arm system, already contained in the kit 50-5730, can be used in the following applications:

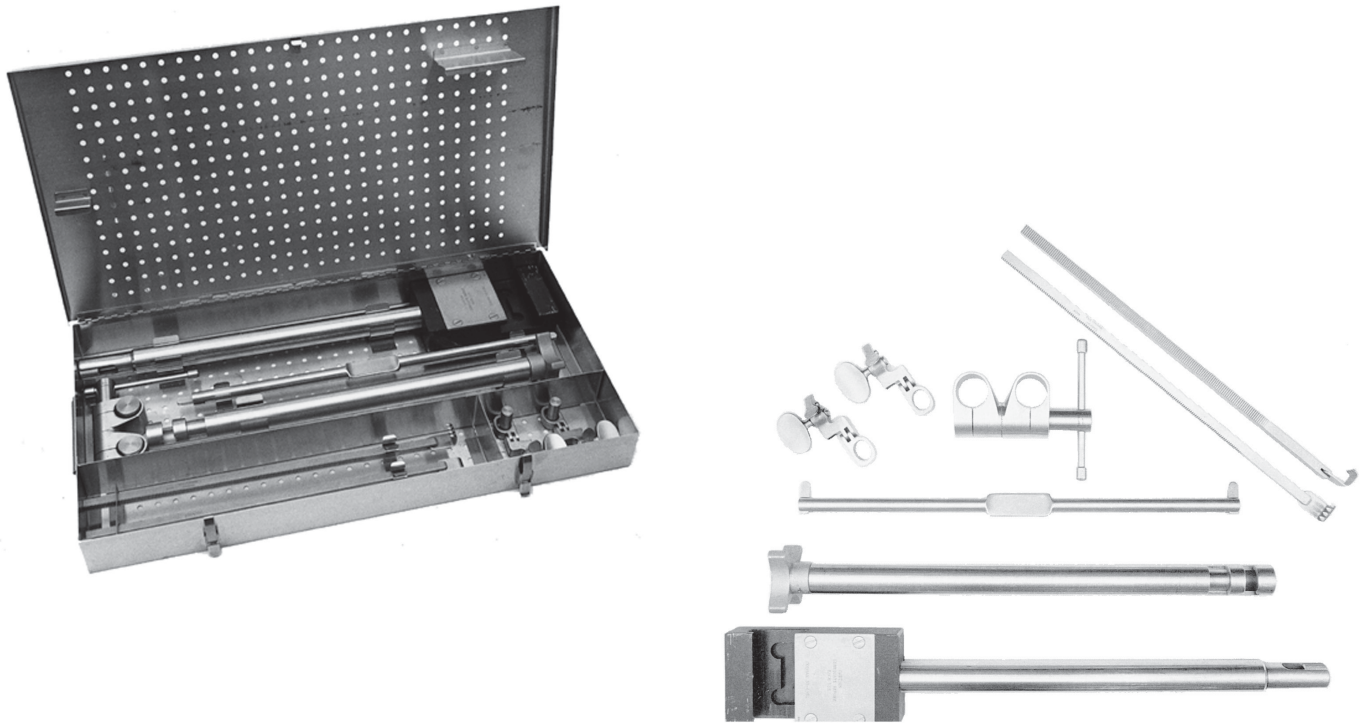
- In combination with Bookwalter® Magrina, rectal, and small incisions sets, including the new flexible arm (*).
- To support positioning during an appendectomy with the Bookwalter® Kelly valve.
- To support the placement of a laparoscopic retractor.
- For the use of a second segmented shrink ring positioned on the neck during a thyroidectomy.
- For proper and stable positioning of a lens or camera during a particularly long laparoscopic procedure (**).

Note (*)

You can use the Flexible Arm (58-4805) in combination with a Flexible Horizontal Bar (50-4582) in the same procedure.

Note (**)

During a particularly long laparoscopic procedure (such as a cholecystectomy) you can position and maneuver a camera through the arm and into the Bookwalter® Universal Arm Adapter System to ensure greater stability and allow instant adjustment. The system allows you to have "slip" mechanics to insert or remove camera lens safely.

**BOOKWALTER® I.M.A. RETRACTOR SYSTEM**

REFERENCE	DESCRIPTION	DIMENSIONS	Qty
50-4600	Bookwalter® I.M.A. Retractor System		
50-4552	Bookwalter® Horizontal Bar	14 1/4 in (360 mm)	1
50-4554	Bookwalter® Lightweight Post Coupling, For Standard 1 inch System	1 x 4 in (25 x 102 mm)	1
50-4581	Bookwalter® Table Post	12 in (304 mm)	1
50-4601	Bookwalter® I.M.A. Cross Bar	12 in (300 mm)	1
50-4602	Bookwalter® I.M.A. Ratchet Mechanism		2
50-4603	Bookwalter® I.M.A. Rake Retractor Blade, Sharp	12 in (304 mm)	2
50-4604	Bookwalter® I.M.A. Retractor Case	4 1/4 x 19 1/2 x 13 1/4 in (108 x 500 x 337 mm)	1



50-4508



50-4507



50-4604



50-4647

BOOKWALTER® CONTAINERS

REFERENCE	DESCRIPTION	DIMENSIONS
50-4508	Bookwalter® Blades & Accessory Case	3 ¹¹ / ₁₆ x 13 ¹ / ₈ x 22 ¹ / ₈ in (94 x 333 x 562 mm)
50-4507	Bookwalter® Table Fixation & Ring Case	2 ³ / ₄ x 13 ¹ / ₈ x 22 ¹ / ₈ in (95 x 333 x 562 mm)
50-4604	Bookwalter® I.M.A. Retractor Case	4 ¹ / ₄ x 19 ¹ / ₂ x 13 ¹ / ₄ in (108 x 500 x 337 mm)
50-4647	Bookwalter® Spinal Retractor Sterilization Case	19 ¹ / ₂ x 13 ¹ / ₂ in (500 x 340 mm)



symmetry surgical[®]

the future of surgical instruments



3034 Owen Drive - Antioch, TN 37013 - 800.251.3000 - customerservice@symmetrysurgical.com
internationalorders@symmetrysurgical.com - symmetrysurgical.com

SM0063